

**SPECIFICATION**

Frequency Range	Fundamental	6,0~38,0 MHz	<b>QUARTZ CRYSTAL 7 x 5 MM</b>
	3 <sup>rd</sup> overtone	38,1~130,0 MHz	
Motional Resistance		See Table 2	
Load Capacitance (CL)	Standard: 16 pF	series to 32 pF	
Drive Level		10μW typ., 500μW max.	
Frequency Tolerance @25°C		±10~±50 ppm	
Temperature Stability		See Table 1	
Operating Temperature Range	Standard, Code 27	-20°C~70°C	
	Available, Code 48	-40°C~85°C	
Storage Temperature Range		-40°C~85°C	
Aging		±3 ppm /year max.	
Shunt Capacitance		7 pF	
Reflow Soldering		10s max., 260°C twice or 180s @230°C once	
Packing Unit		1000 pcs. Tape&Reel	

**TABLE 1**

S: Standard ; A: Available

Temp. Code	Temp. / ppm	± 20	± 25	± 30	± 50
27	20~70°C	A	A	S	-
48	40~85°C	-	A	A	S

**TABLE 2**

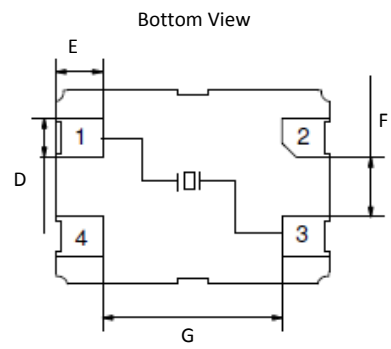
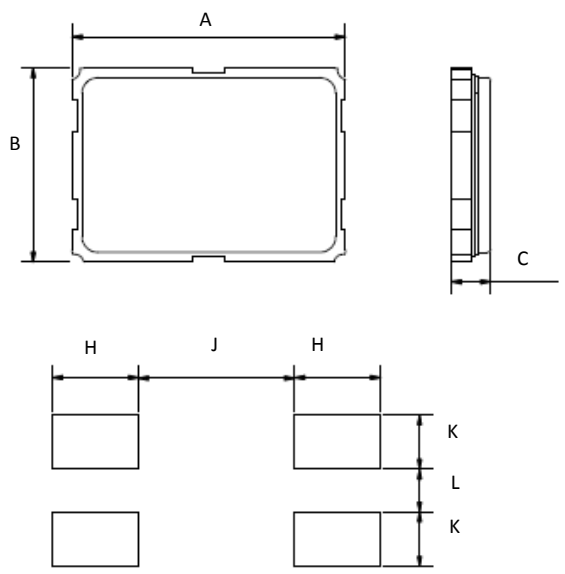
6,0~10,0 MHz : 70 Ω	10,1~20,0 MHz : 50 Ω
20,1~38,0 MHz : 40 Ω	38,1~50,0 MHz : 60 Ω
50,1~85,0 MHz : 50 Ω	85,1~130,0 MHz : 40 Ω

**ORDERING KEY**

Example: FT7A-8,0/16-30-30/27

Type	- Frequency	/CL	-Frequency Tolerance	-Temperature Stability	/Temperature Code
FT7A	Value in MHz	Value in pF s for series	Value in ppm	Value in ppm	27 48

**MECHANICAL DIMENSIONS (MM)**



A	7,0±0,2
B	5,0±0,2
C	1,3 max.
D	1,0±0,1
E	1,2±0,1
F	1,54±0,1
G	4,6±0,1
H	2,2
J	4,0
K	1,4
L	1,1