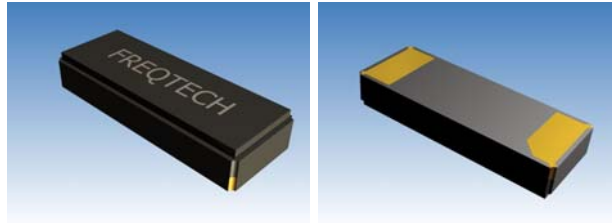


**FREQTECH**®  
your first and second source

**FT36A**

Package: ceramic base, plastic cover  
rohs compliant

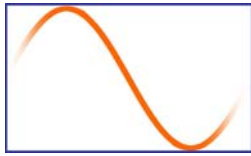


**Electrical specifications**

Parameter	Condition	Availability	Standard
Frequency range			32,7680kHz
Frequency stability	@ +25°C		+/- 20 ppm
Temperature tolerance	Over operating temperature		-0,034 +/-0,006 ppm/(Δ°C) <sup>2</sup>
Operating temperature range		-40 ~ +85 °C	-20 ~ +70 °C
Storage temperature range			-40 ~ +85 °C
Insulation resistance			500 MΩ/DC 100V
Load capacitance			12,5pF
Drive level			1μW
Aging	@ +25°C, per year	-5,0 ~ +5,0ppm	

**Equivalent series resistance**

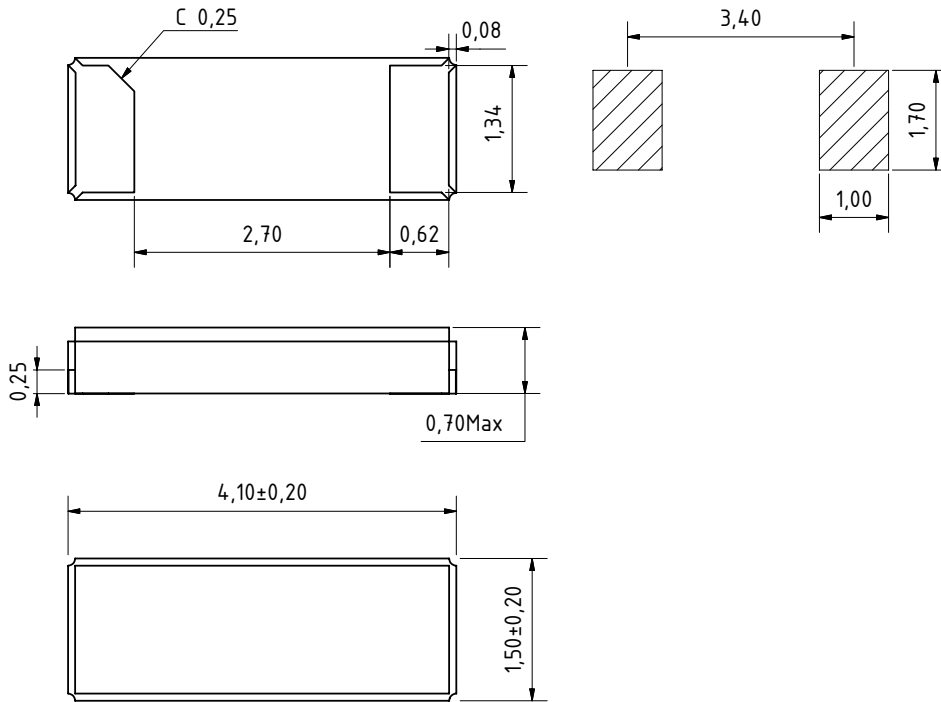
Frequency fange (kHz)	Max. ESR (kΩ)
32,7680	70



**FT36A**

Package: ceramic base, plastic cover  
 rohs compliant

**Mechanical dimensions (mm)**



**Ordering key**

Type	- frequency			/ operating teperature	
FT36A	value in kHz			27 = -20°C~+70°C	
				48 = -40°C~+85°C	