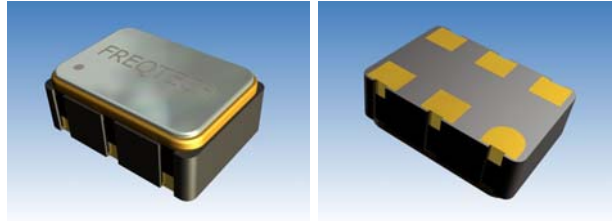


FT1P

Package: ceramic base with metal cover
rohs compliant

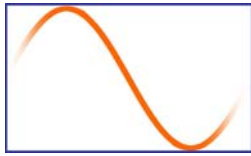


Electrical specifications

Parameter	Condition	Availability	Standard
Frequency range		60,0 ~ 800,0 MHz	
Frequency stability	over operating temperature range	+/- 25 - +/- 100 ppm	
Output wave form			PECL square wave
Input voltage			3,3 V +/-5%
Input current			90 mA max.
Output voltage HIGH "1" Voh	RL = 50Ω to Vdd - 2V		Vdd-1,025V min.
Output voltage LOW "0" Vol	RL = 50Ω to Vdd - 2V		Vdd-1,62V max.
Output clock duty cycle	@Vdd-1,3V		50 +/-5 % max.
Rise & fall time	@20% to 80% Vcc		0,4 ns max.
Start-up time			10 ms max.
RMS phase jitter			1ps max. (0,25 typical)
RMS period jitter			3ps max. (2,5 typical)
Peak to peak jitter			30ps max. (20 typical)
Operating temperature range		-40 ~ +85 °C	-10 ~ +70 °C
Storage temperature			-55 ~ +125 °C
Aging	per year		+/-3 ppm max.

Pin connection

Pin	Connection	Pin	Connection
1	tristate	4	Output
2	NC	5	complimentary output
3	GND	6	supply voltage



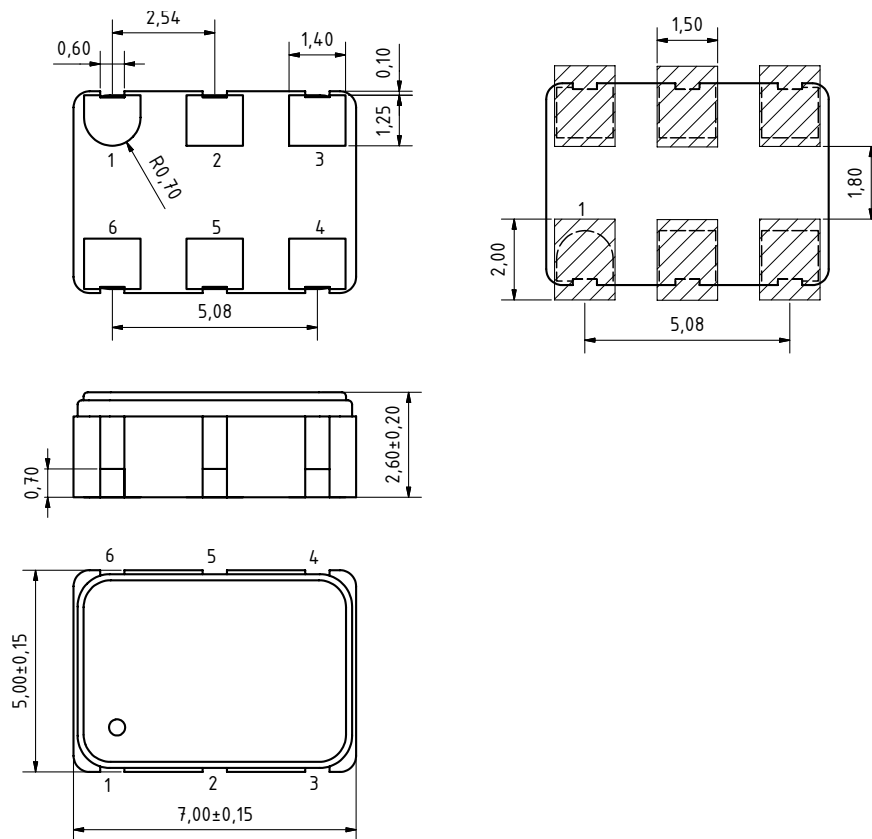
FREQTECH[®]
 your first and second source

FT1P

Package: ceramic base with metal cover

rohs compliant

Mechanical dimensions (mm)



Ordering key

Type	- frequency	/ frequency stability	- output load	/ operating teperature	/ option
FT1P	value in MHz	value in ppm		17 = -10°C ~ +70°C 48 = -40°C ~ +85°C	