

**FREQTECH**<sup>®</sup>  
 your first and second source

**FT1A**

Package: metal

rohs compliant

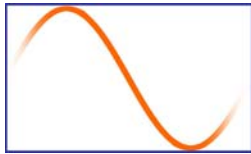


**Electrical specifications**

Parameter	Condition	Availability	Standard
Frequency range		1,84320 ~ 125,0 MHz	
Frequency stability	@ +25°C	+/- 5 ~ +/- 50 ppm	+/- 30 ppm
Temperature tolerance	@ -20°C ~ +70°C @ -40°C ~ +85°C	+/- 5 ~ +/- 50 ppm +/- 50 ~ +/- 100 ppm	+/- 30 ppm
Operating temperature range		-40 ~ +85 °C	-20 ~ +70 °C
Storage temperature range		-40 ~ +105 °C	-40 ~ +85 °C
Shunt capacitance			7pF
Load capacitance	Customer specified	10 ~ series	30pF
Drive level		500µW max.	100µW
Aging	@ +25°C, per year	-5,0 ~ +5,0ppm	

**Equivalent series resistance + mode of vibration**

Frequency range (MHz)	Max. ESR (Ω)	Mode	Frequency range (MHz)	Max. ESR (Ω)	Mode
1,8432 – 1,999	650	Fundamental	6,0 – 7,999	50	Fundamental
2,0 – 2,999	500	Fundamental	8,0 – 12,999	35	Fundamental
3,0 – 3,499	250	Fundamental	13,0 – 32,0	25	Fundamental
3,50 – 3,999	150	Fundamental	24,0 – 29,999	60	3 <sup>rd</sup> overtone
4,0 – 4,999	100	Fundamental	30,0 – 79,999	40	3 <sup>rd</sup> overtone
5,0 – 5,999	80	Fundamental	80,0 – 125,0	90	5 <sup>th</sup> overtone



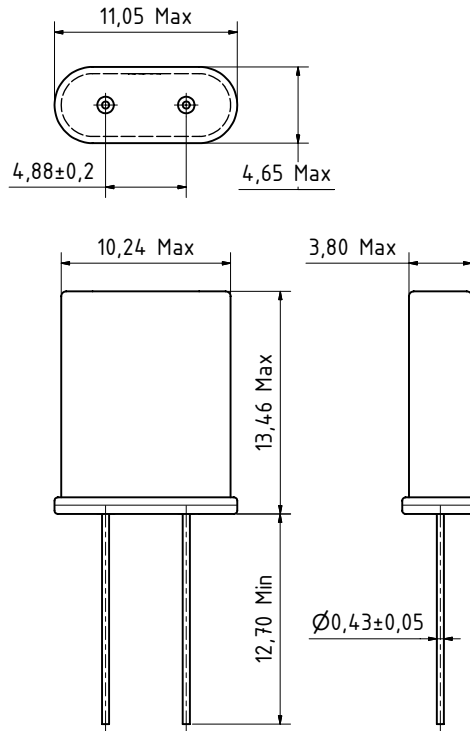
**FREQTECH**<sup>®</sup>  
 your first and second source

**FT1A**

Package: metal

rohs compliant

**Mechanical dimensions (mm)**



**Ordering key**

Type	- frequency	/ frequency stability	/ load capacitance	- temperature tolerance	/ operating teperature
FT1A	value in MHz	value in ppm	value in pF	value in ppm	27 = -20°C~+70°C
			s for series		48 = -40°C~+85°C