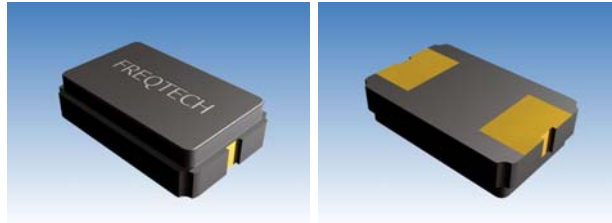


**FREQTECH**<sup>®</sup>  
your first and second source

**FT11A**

Package: ceramic

rohs compliant

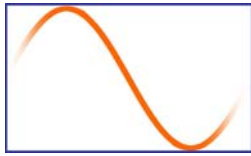


### Electrical specifications

| Parameter                   | Condition                          | Availability                                 | Standard             |
|-----------------------------|------------------------------------|--|----------------------|
| Frequency range             |                                    | 12,0 ~ 54,0 MHz                              |                      |
| Frequency stability         | @ +25°C                            | +/- 30 ~ +/- 100 ppm                         | +/- 50 ppm           |
| Temperature tolerance       | @ -20°C ~ +70°C<br>@ -40°C ~ +85°C | +/- 30 ~ +/- 100 ppm<br>+/- 50 ~ +/- 100 ppm | +/- 50 ~ +/- 100 ppm |
| Operating temperature range |                                    | -40 ~ +85 °C                                 | -20 ~ +70 °C         |
| Storage temperature range   |                                    |  | -40 ~ +85 °C         |
| Shunt capacitance           |                                    |  | 7pF                  |
| Load capacitance            | Customer specified                 | 8 ~ series                                   | 16pF                 |
| Drive level                 |                                    | 300µW max.                                   | 10µW                 |
| Aging                       | @ +25°C, per year                  | -5,0 ~ +5,0ppm                               |                      |

### Equivalent series resistance + mode of vibration

| Frequency range (MHz) | Max. ESR (Ω) | Mode        | Frequency range (MHz) | Max. ESR (Ω) | Mode        |
|-----------------------|--------------|-------------|-----------------------|--------------|-------------|
| 12,0 – 19,999         | 80           | Fundamental | 30,0 – 54,0           | 50           | Fundamental |
| 20,0 – 29,999         | 70           | Fundamental |                       |              |             |



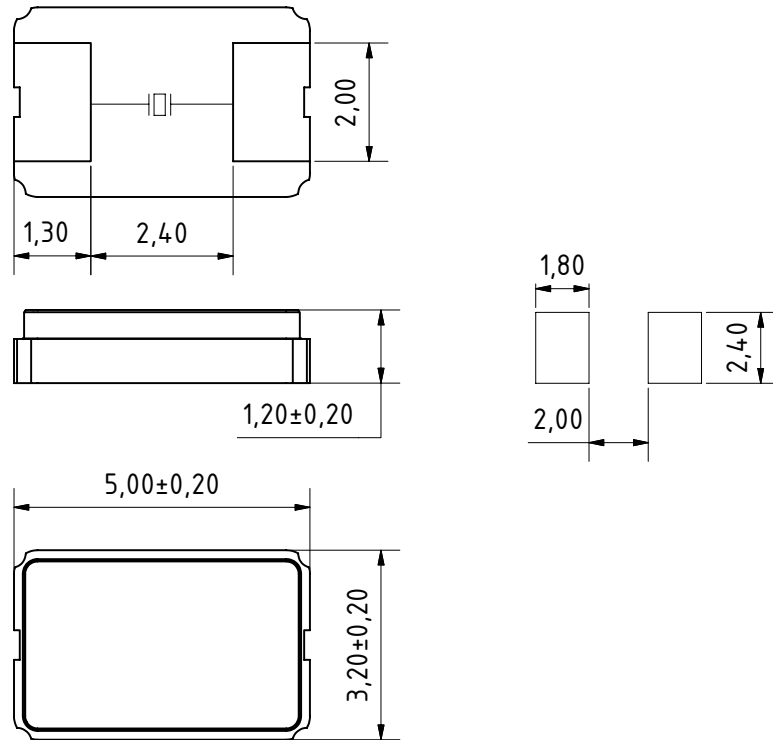
**FREQTECH**<sup>®</sup>  
your first and second source

**FT11A**

Package: ceramic

rohs compliant

### Mechanical dimensions (mm)



### Ordering key

| Type  | - frequency  | / frequency stability | / load capacitance | - temperature tolerance | / operating teperature |
|-------|--------------|-----------------------|--------------------|-------------------------|------------------------|
| FT11A | value in MHz | value in ppm          | value in pF        | value in ppm            | 27 = -20°C~+70°C       |
|       |              |                       | s for series       |                         | 48 = -40°C~+85°C       |